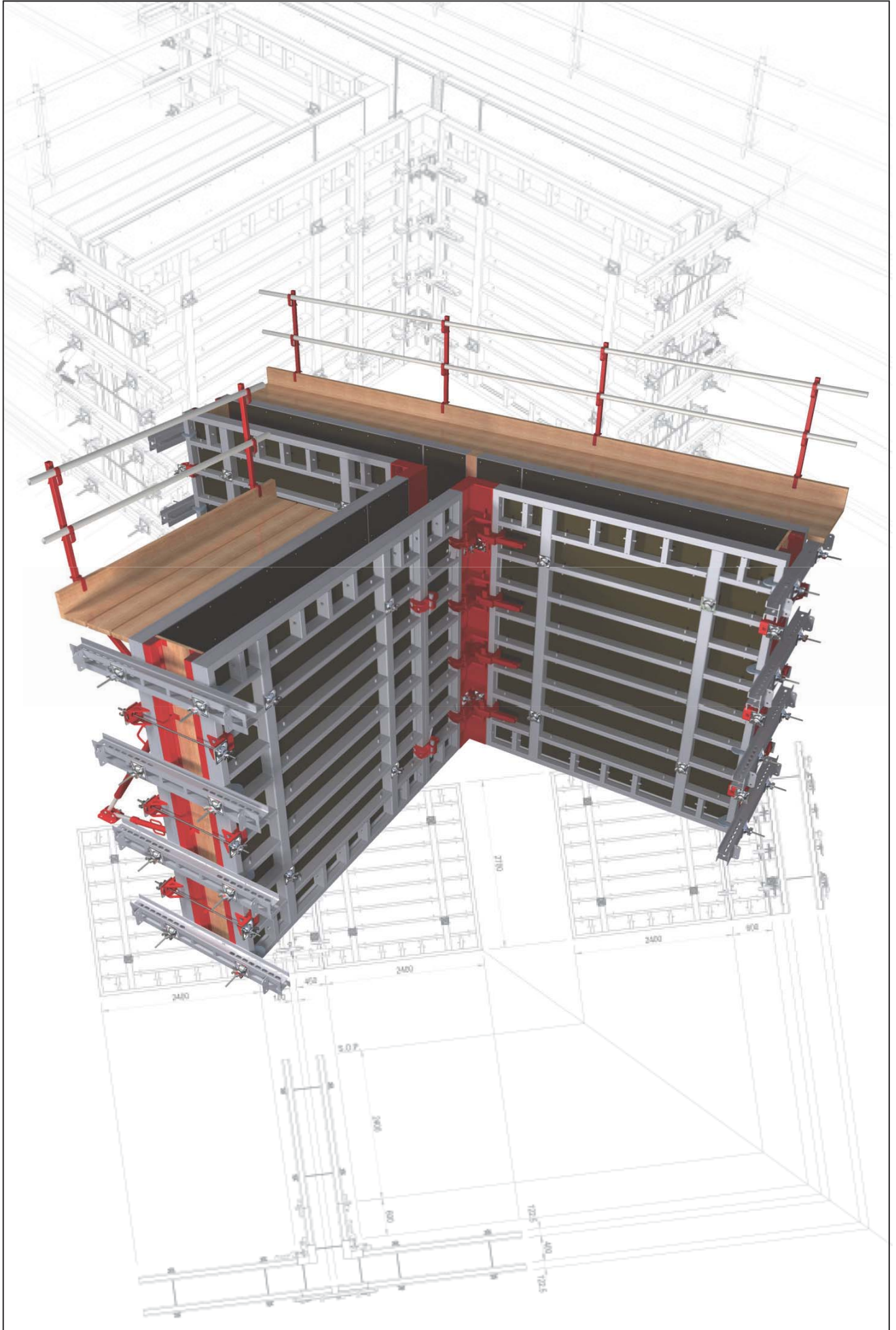


WACO

TIFA WALLFORM SYSTEM

TIFA PRODUCT CATALOGUE



- Waco International is a privately owned global company with annual revenues in excess of A\$600 million.
- The company employs over 3000 skilled and enthusiastic people, and involves many more through its subcontractors, in scaffolding, formwork and portable buildings businesses in Australia, New Zealand, South Africa, United Kingdom and Chile.
- Waco International Ltd has operated in Australia since 1984. In 1992 it acquired GKN Kwikform, creating the company that today operates as Waco Kwikform Limited.
- Waco Kwikform has both size and geographical coverage. With a stockholding in excess of 70,000 tonnes and local branches throughout Australia and New Zealand, Waco Kwikform is recognised as a leading supplier of scaffolding and formwork.
- The company is built around a service culture. We have the capacity to provide design, product and technical support to the largest commercial, residential, industrial and civil engineering projects, from capital city construction to major mining, oil and gas projects throughout the country.
- Our opinion is sought by and we work closely with organisations like Standards Australia and the various state regulatory authorities in reviewing and shaping the standards by which our industry operates both today and into the future.

The descriptions and illustrations contained in this catalogue are intended merely to present a general idea of the Goods described therein. Waco Kwikform accepts no responsibility for the accuracy of any such descriptions and illustrations and these do not constitute any warranty guarantee, representation or opinion of the practicability of construction or the efficacy, safety or otherwise of the Goods and Waco Kwikform will not be responsible for the cost of any additional work or any consequential loss or damage caused by defects in any such descriptions and illustrations.

Copyright in this catalogue shall remain the sole property of Waco Kwikform and shall not be reproduced, copied or used in whole or in part without its prior consent.

Inside Cover	Introduction to Waco Kwikform
Page 1	Contents
Page 2	Introduction to Tifa
Pages 3-4	Panels
Page 5	Corner Panels
Page 6	Infill & Stripping Bars
Page 7	Clamps
Page 8	Push Pull Props
Page 9	Push Pull Prop Accessories
Pages 10-11	Accessories
Page 12	General Arrangement
Inside Back Cover	Branch Locations



GENERAL INFORMATION

System Overview

- This product catalogue provides basic technical information regarding the components that are used to make up the Tifa system.
- Tifa is a heavy duty crane handled wall forming system with the following main features:
- The system is able to resist a concrete pressure of 60 kN/m².
- The Panels are available in lengths of 2700, 1200, 900 and 600 mm and in widths of 2400, 1200, 900, 600, 450 and 300 mm.
- The Panels may be gang-formed to create an overall panel size of 30m².
- Components are galvanized for long life protection.
- The system provides safe working platforms.
- Tifa Panels are compatible with the Tifa-Lite System.



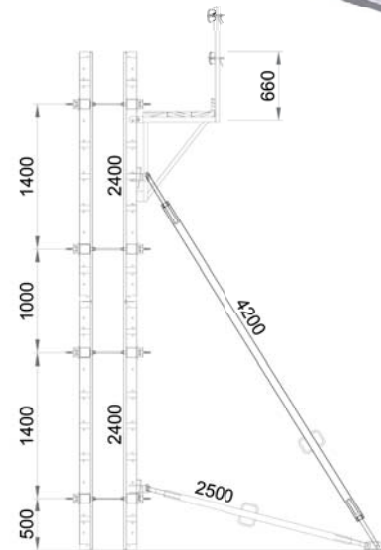
ACCURACY OF CONCRETE WORK

Expected Concrete Surface Finish Using Tifa-Lite

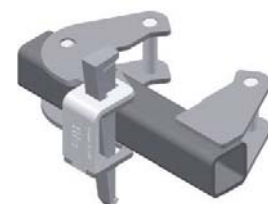
- The Tifa system produces a 'smooth' Class 2 to Class 3 finish.
- No treatment of the concrete surface is required after striking the formwork.

Class Description

- **Class 3**
Degree of accuracy III is suitable for use where a high degree of accuracy is unnecessary, for example, mass reinforced foundations, frames, walls, columns and beams that are normally plastered, painted or hidden from view.
- **Class 2**
Degree of accuracy II is suitable for use where a reasonable degree of accuracy is required and not hidden from view.
- **Class 1**
Degree of accuracy I is suitable when the use of special, as opposed to normal methods or materials, or both, is warranted despite the probability of higher costs than those caused by the use of degree of accuracy II.



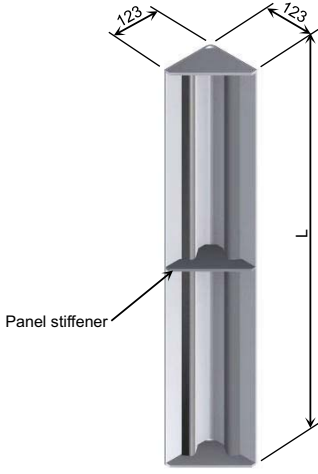
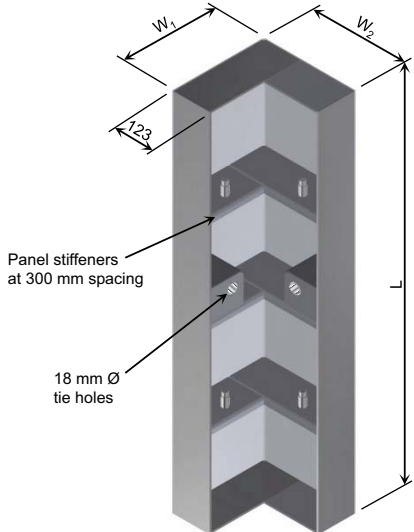
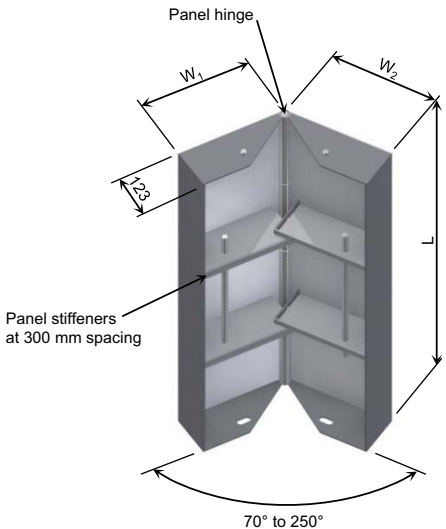
Tifa 4100 High

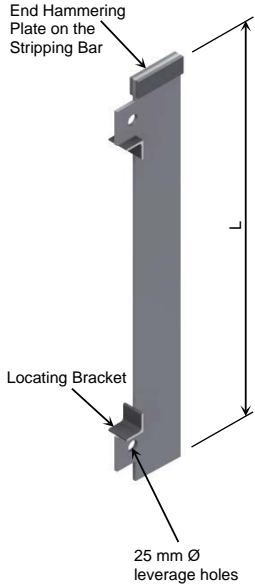
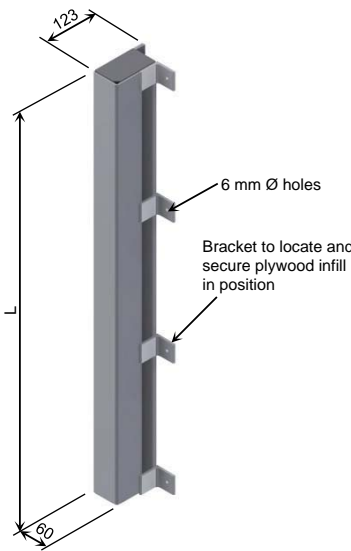


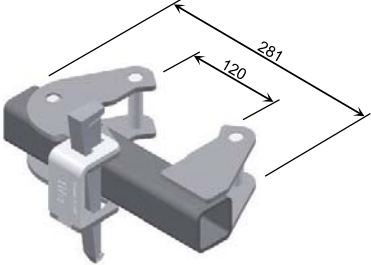
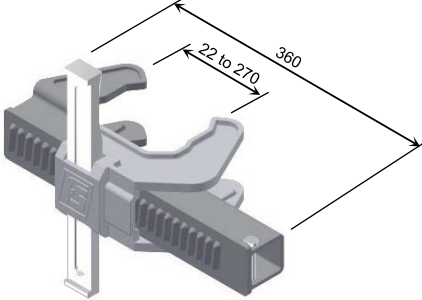
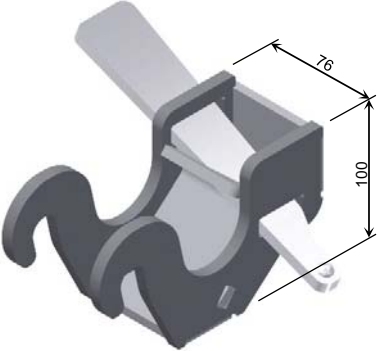
Product	Code	Description	Weight (kg)
<p>100 x 50 Panel stiffeners at 300 mm spacing</p> <p>4 No. 25 mm Ø tie holes through 100 x 100 stiffeners</p> <p>16 mm Ø Attachment Pins</p>	123114	<p>Tifa panels are used to form vertical or inclined structures</p> <p>Range Panels are available in heights of 2700mm, 1200mm, 900mm and 600mm and in widths from 2400mm to 300mm depending on height.</p> <p>Ply Face Tifa panels are fitted with 21mm WISA-Form plywood facing.</p>	440.0
<p>76 (Tie holes)</p> <p>W</p> <p>100 x 50 Panel stiffeners at 300 mm spacing</p> <p>16 mm Ø Attachment Pins</p> <p>123 x 60 profiled periphery</p> <p>4 No. 25 mm Ø tie hole locations</p>	<p>123113</p> <p>123112</p> <p>123111</p> <p>123110</p> <p>123109</p>	<p>Tie Holes 2700mm, 1200mm and 900mm high panels (except for the 300mm wide range), have 4 no. 25mm dia. tie holes located in the primary stiffeners to accommodate the 15mm dia. Dywidag tie system.</p> <p>300mm wide panels have 2 no. 25mm dia. tie holes located in the primary stiffeners plus additional tie holes in the panel stiffeners along the centreline of the panel.</p>	<p>195.0</p> <p>148.0</p> <p>113.0</p> <p>93.0</p> <p>76.0</p>

Product	Code	Description	Weight (kg)
	123108	Tifa Panel 1200 x 1200	96.0
	123107	Tifa Panel 1200 x 900	78.0
	123106	Tifa Panel 1200 x 600	58.0
	123105	Tifa Panel 1200 x 450	46.0
	123104	Tifa Panel 1200 x 300	37.0
	123103	Tifa Panel 900 x 900	63.0
	123102	Tifa Panel 900 x 600	46.0
	123101	Tifa Panel 900 x 450	36.0
	123100	Tifa Panel 900 x 300	29.0
	123099	Tifa Panel 600 x 600	35.0
	123098	Tifa Panel 600 x 300	19.0
	123109	Tifa Panel 2700 x 300	76.0

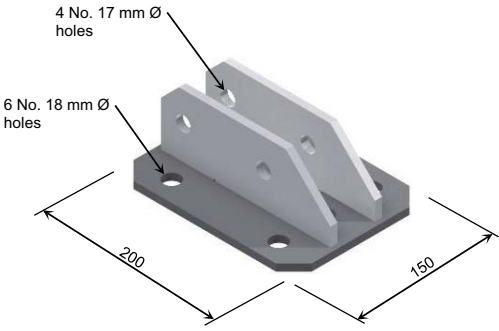
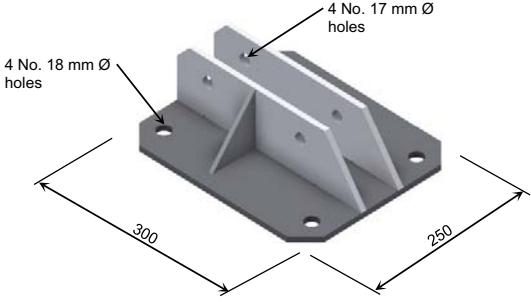
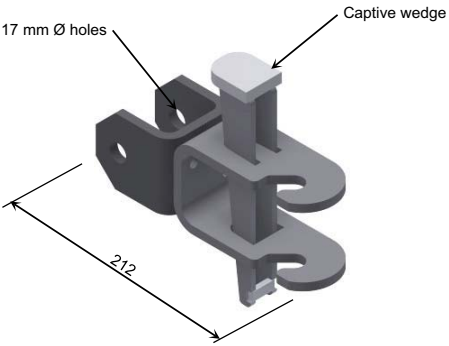
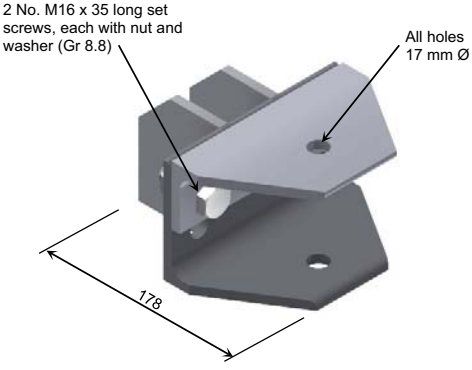
Tie Holes
 600mm high panels 600mm wide have 2 no. 25mm dia. tie holes located at one end of the panel. 600mm high panels 300mm wide panels have 1 no. 25mm dia. tie hole located in the centre of the panel to accommodate the 15mm dia. Dywidag tie system.

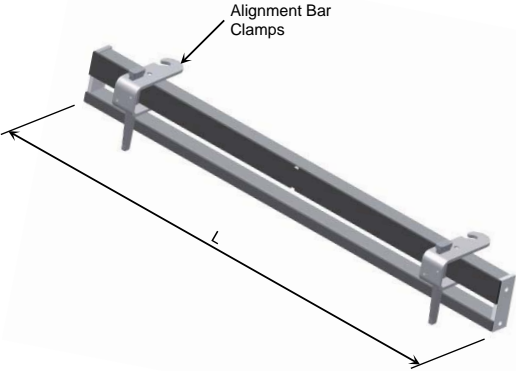
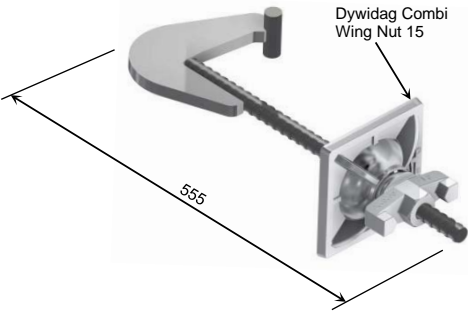
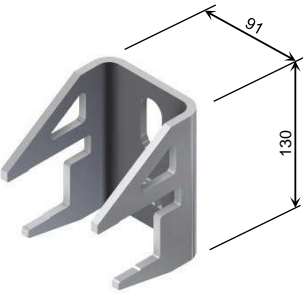
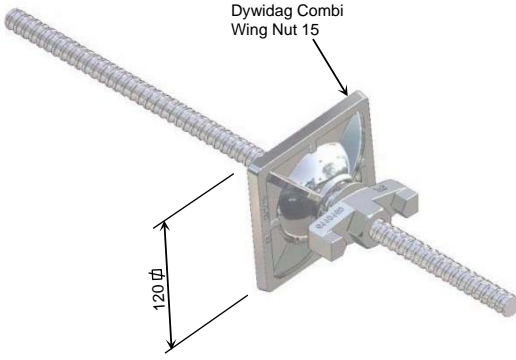
Product	Code	Description	Weight (kg)
 <p>Panel stiffener</p>	<p>123118 123117 123116 123115</p>	<p>Tifa External Corner Panels are used to connect two Tifa Panels together at 90° to each other at an external corner.</p> <p>Tifa External Corner Panel 2700 Tifa External Corner Panel 1500 Tifa External Corner Panel 1200 Tifa External Corner Panel 900</p>	<p>41.0 25.2 22.0 10.5</p>
 <p>Panel stiffeners at 300 mm spacing</p> <p>18 mm Ø tie holes</p>	<p>123122 123121 123120 123119</p>	<p>Tifa Internal Corner Panels are used to connect two Tifa Panels together at 90° to each other at an internal corner.</p> <p>Tifa Internal Corner Panel 2700 x 300 x 300 1500 x 300 x 300 1200 x 300 x 300 900 x 300 x 300</p>	<p>130.0 91.2 65.0 39.5</p>
 <p>Panel hinge</p> <p>Panel stiffeners at 300 mm spacing</p> <p>70° to 250°</p>	<p>123126 123125 123124 123123</p>	<p>Tifa Hinged Splay Panels are used to connect two Tifa Panels at angles from 70° to 250° at either an internal or external corner.</p> <p>Tifa Hinged Splay Panels do not have tie holes.</p> <p>Tifa Hinged Splay Panel 2700 x 300 x 300 1500 x 300 x 300 1200 x 300 x 300 900 x 300 x 300</p>	<p>127.0 91.0 61.8 44.9</p>

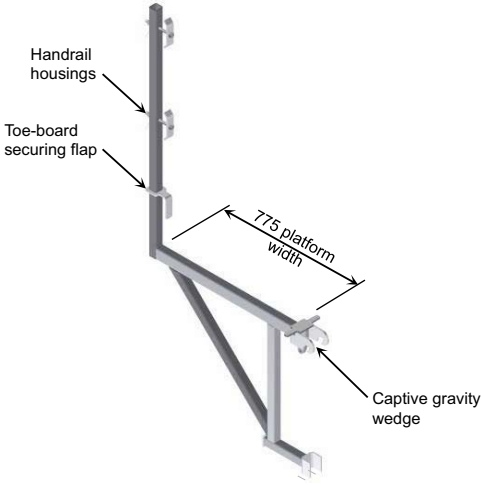
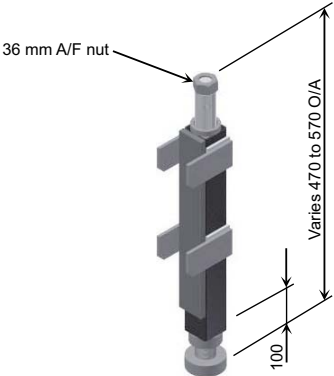
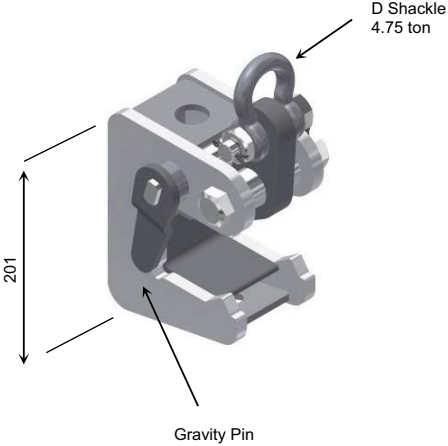
Product	Code	Description	Weight (kg)
 <p>End Hammering Plate on the Stripping Bar</p> <p>Locating Bracket</p> <p>25 mm Ø leverage holes</p>	<p>123208 123207 123206 123205 123204</p>	<p>The 8 mm thick Tifa Stripping Bars, with a thickened end hammering plate, are used to facilitate the stripping of Tifa Panels in confined areas.</p> <p>Tifa Stripping Bar 2750 Tifa Stripping Bar 2450 Tifa Stripping Bar 1550 Tifa Stripping Bar 1250 Tifa Stripping Bar 950</p>	<p>23.0 20.8 13.7 11.4 9.1</p>
 <p>6 mm Ø holes</p> <p>Bracket to locate and secure plywood infill in position</p>	<p>123203 123202 123201 123200</p>	<p>Tifa Twin Profile Infills are used to support a plywood infill between two Tifa Panels.</p> <p>The plywood is secured in position using 5 mm Ø x 20 mm long self tapping screws.</p> <p>Tifa Twin Profile Infill 2700 Tifa Twin Profile Infill 1500 Tifa Twin Profile Infill 1200 Tifa Twin Profile Infill 900</p>	<p>25.0 13.8 11.0 8.0</p>

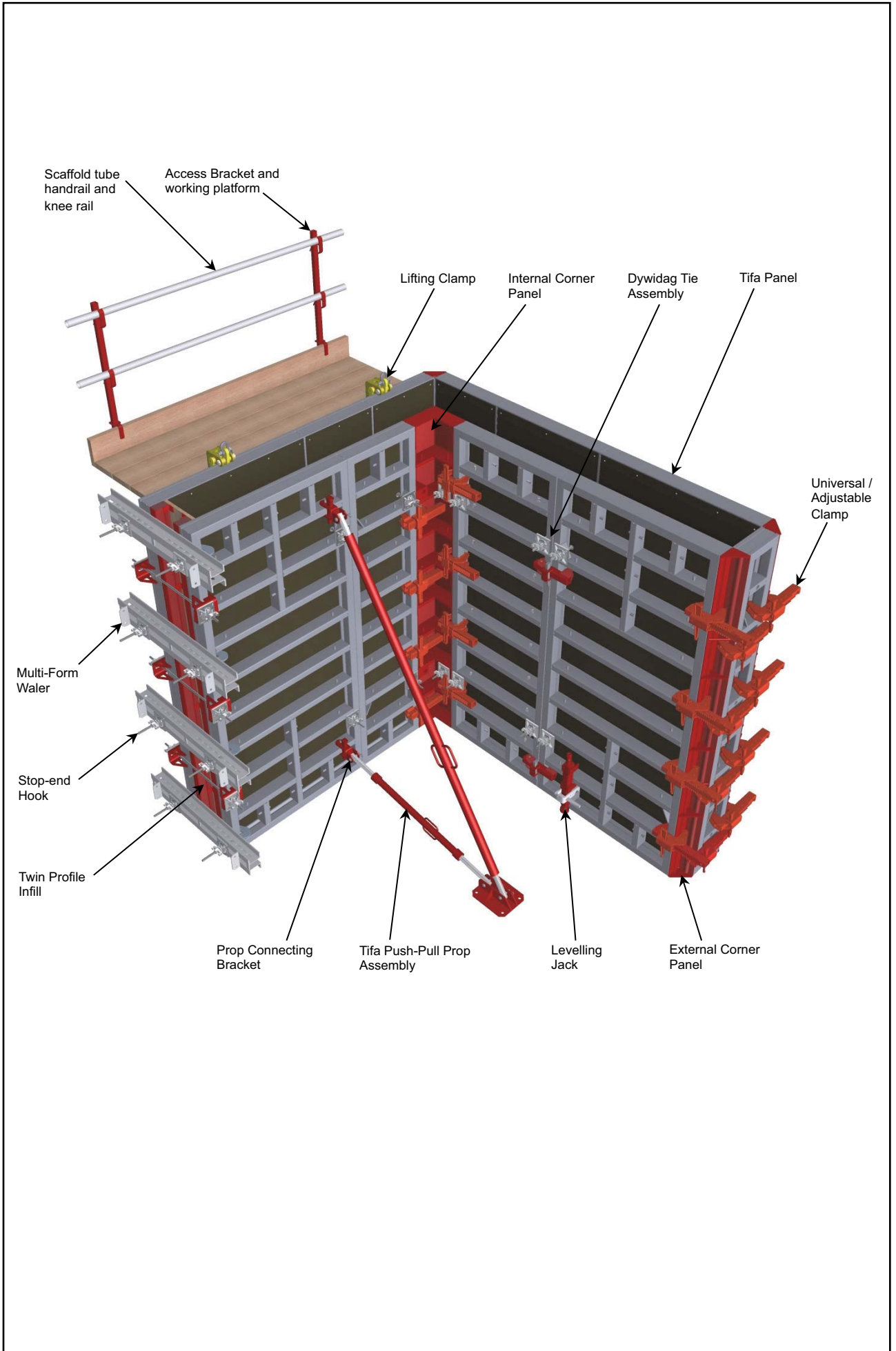
Product	Code	Description	Weight (kg)
	123214	<p>Tifa Fixed Clamps are used to connect two Tifa Panels side by side.</p> <p>When the Clamps are positioned along the Panel's stiffeners, the Clamps assist with aligning the Panels which eliminates the need for walers.</p>	3.7
	123216	<p>Tifa/Tifa-Lite Universal Clamps are used to connect two Tifa Panels together and where Stripping Bars or timber in-fill is required. They are also used to clamp External Corner Panels, Internal Corner Panels and Hinged Splay Panels in position and may substitute any other type of Tifa Clamp.</p> <p>Universal Clamps may be connected anywhere along the length or width of the Panel.</p>	6.0
	123218	<p>Tifa Waler Brackets are used to connect scaffold tube to Tifa Panels.</p> <p>The prongs on the Bracket hook over the 16 mm Ø attachment pins located in the Tifa Panels.</p>	2.0

Product	Code	Description	Weight (kg)
<p>Tifa Push-Pull Prop 5700 = 89 mm Ø Tifa Push-Pull Prop 5700 = 50 mm Ø 17 mm Ø hole each end</p>	123228	<p>The Tifa Push-Pull Prop 5700 is usually used in conjunction with the Tifa Push-Pull Prop 2500 to plumb the Tifa system.</p> <p>Tifa Push-Pull Prop 5700 (Length = 4380 mm)</p>	63.3
<p>Tifa Push-Pull Prop 4200 = 76 mm Ø Tifa Push-Pull Prop 3100 = 63 mm Ø Tifa Push-Pull Prop 2500 = 63 mm Ø 38 mm Ø 17 mm Ø hole each end</p>	123227	<p>Tifa Push-Pull Props ranging in length from 4200 to 2500 mm are usually used in conjunction with Tifa Prop Ties to plumb the Tifa system.</p> <p>Tifa Push-Pull Prop 4200 (Length = 3596 mm)</p>	23.0
	123226	<p>Tifa Push-Pull Prop 3100 (Length = 2480 mm)</p>	16.6
	123225	<p>Tifa Push-Pull Prop 2500 (Length = 1835 mm)</p>	14.0
<p>Tifa Prop Tie = 48 mm Ø 38 mm Ø 17 mm Ø hole each end</p>	123224	<p>Tifa Prop Ties are used to prop the lower portion of the Tifa Panels.</p> <p>Tifa Prop Tie (Length = 825 mm)</p>	8.4
<p>16 mm Ø 90</p>	123231	<p>The Tifa Connecting Pin 16 x 90 and R-Clip are used to secure the Push-Pull Prop to the Prop Connecting Bracket.</p> <p>Tifa Connecting Pin 16 x 90</p>	0.2
	123232	Tifa R-Clip	0.1

Product	Code	Description	Weight (kg)
 <p>4 No. 17 mm Ø holes</p> <p>6 No. 18 mm Ø holes</p> <p>200</p> <p>150</p>	123229	<p>The Tifa Swivel Foot 200 x 150 is used to connect the bottom end of a Tifa Push-Pull Prop and a Tifa Prop Tie together.</p> <p>Tifa Swivel Foot 200 x 150</p>	3.4
 <p>4 No. 17 mm Ø holes</p> <p>4 No. 18 mm Ø holes</p> <p>300</p> <p>250</p>	123230	<p>The Tifa Swivel Foot 300 x 250 is used to connect the bottom end of a Tifa Push-Pull Prop 5700 and a Tifa Push-Pull Prop 2500 together.</p> <p>Tifa Swivel Foot 300 x 250</p>	7.6
 <p>17 mm Ø holes</p> <p>Captive wedge</p> <p>212</p>	123233	<p>Tifa Prop Connecting Brackets are secured to the 16 mm Ø Attachment Pins, located along the stiffeners of Tifa Panels, in order to attach each Tifa Push-Pull Prop assembly to the Panels.</p> <p>The ends of the Push-Pull Props are connected using 16 x 90 Tifa Connecting Pins and R-Clips.</p> <p>Tifa Prop Connecting Bracket</p>	2.5
 <p>2 No. M16 x 35 long set screws, each with nut and washer (Gr 8.8)</p> <p>All holes 17 mm Ø</p> <p>178</p>	123234	<p>Tifa Prop Connecting Brackets HD are secured to the 16 mm Ø Attachment Pins, located along the stiffeners of Tifa Panels, in order to attach the Tifa Push-Pull Prop 5700 to the Panels.</p> <p>The Props are connected to the Brackets using 16 x 90 Tifa Connecting Pins and R-Clips.</p> <p>Tifa Prop Connecting Bracket HD</p>	5.0

Product	Code	Description	Weight (kg)
 <p>Alignment Bar Clamps</p> <p>L</p>		<p>Tifa Alignment Bars are available in 2 lengths, 1220 and 920 mm.</p> <p>They are used to stiffen the Panel joints when lifting and rotating gang-formed panels from the horizontal position to the vertical position.</p> <p>Alignment Bars are also used in conjunction with the HD Waler Hook Bolt to secure Tifa Panels to the Tifa Support Frames.</p> <p>The Tifa Alignment Bar Clamps may be removed when necessary.</p>	
 <p>Dywidag Combi Wing Nut 15</p> <p>555</p>	<p>123210 123209 123211</p>	<p>Tifa Alignment Bar 1220 Tifa Alignment Bar 920 Tifa Alignment Bar Clamp</p> <p>Tifa Stop-end Hooks are used to secure walers in position at the stop-end of a concrete wall.</p> <p>The Dywidag Combi Wing Nut 15 is used in conjunction with the Stop-end Hook.</p>	<p>15.3 11.5 1.9</p>
 <p>91</p> <p>130</p>	<p>123212</p>	<p>Tifa Stop-end Hook</p> <p>Tifa Top-Tie Brackets fit onto the periphery of Tifa Panels, to keep ties in place around the edges of the Panels.</p>	<p>1.6</p>
 <p>Dywidag Combi Wing Nut 15</p> <p>120</p>	<p>123223</p> <p>151010 151022</p>	<p>Tifa Top Tie Bracket</p> <p>Dywidag Bar 15 mm (available in 6.0 m lengths) Dywidag Combi Wing Nut 15</p> <p>Note: PVC Ferrule Tube (22 ID and 25 OD) and PVC Ferrule Tube Cone (22 OD) are used in conjunction with the Dywidag Bar.</p>	<p>3.0</p> <p>1.4 1.2</p>

Product	Code	Description	Weight (kg)
	123219	<p>Tifa Access Brackets are secured to the 16 mm Ø Attachment Pins, located along the stiffeners of Tifa Panels in order to support access platforms, toe-boards and guardrails at the required height.</p> <p>Tifa Access Bracket</p>	12.0
	123237	<p>Tifa Levelling Jacks are used to level the top of gang-formed units.</p> <p>Jacks are secured to the 16 mm Ø Attachment Pins, in the Panel's stiffeners using 1 No. Alignment Bar Clamp.</p> <p>Up to 100 mm of adjustment is achieved by turning the M24 (36 mm A/F) nut located at the top of the Levelling Jack.</p> <p>Tifa Levelling Jack</p>	10.5
	123235	<p>Tifa Lifting Clamps are secured to the Tifa Panel using a Gravity Pin.</p> <p>The D Shackle has a SWL of 4.75 ton.</p> <p>Tifa Lifting Clamp</p>	7.7



HEAD OFFICE

12 Pike Street, Rydalmere NSW 2116
 PO Box 7101, Silverwater NSW 1811
 Ph: 02 9684 8888 Fx: 02 9898 0946
 E: headoffice@wacokwikform.com.au
 W: www.wacokwikform.com.au

QLD BRANCHES**BRISBANE / GOLD COAST**

Building 3/84 Christensen Road South
 Stapylton QLD 4207
 Ph: 07 3451 0200 Fx: 07 3451 0299
 E: brisbane@wacokwikform.com.au

SUNSHINE COAST

16 Fishermans Road
 Maroochydore QLD 4558
 Ph: 07 5443 9666 Fx: 07 5443 3030
 E: sunshinecoast@wacokwikform.com.au

MACKAY

5 Presto Avenue, Mackay Harbour QLD 4740
 Ph: 07 4955 0632 Fx: 07 4755 6735
 E: mackay@wacokwikform.com.au

NSW/ACT BRANCHES**CANBERRA**

17 Sheppard Street, Hume ACT 2620
 Ph: 02 6293 8000 Fx: 02 6293 8050
 E: canberra@wacokwikform.com.au

NEWCASTLE

77 Enterprise Drive, Beresfield NSW 2322
 Ph: 02 4966 2500 Fx: 02 4966 2644
 E: newcastle@wacokwikform.com.au

PORT KEMBLA

20-24 Princes Hwy, Yallah NSW 2530
 Ph: 02 4272 6334 Fx: 02 4272 6335
 E: portkembla@wacokwikform.com.au

SYDNEY

10 Pike Street, Rydalmere NSW 2116
 Ph: 02 9684 8888 Fx: 02 9638 0803
 E: sydney@wacokwikform.com.au

VIC BRANCHES**MELBOURNE/GEELONG**

76 William Angliss Drive,
 Laverton North VIC 3026
 Ph: 03 9369 0671 Fx: 03 9369 2881
 E: melbourne@wacokwikform.com.au

TRARALGON

34-36 Eastern Road, Traralgon VIC 3844
 Ph: 03 5174 7833 Fx: 03 5174 0404
 E: traralgon@wacokwikform.com.au

SA BRANCH**ADELAIDE**

29-31 Francis Street, Port Adelaide SA 5015
 Ph: 08 8447 5550 Fx: 08 8447 5559
 E: adelaide@wacokwikform.com.au

WA BRANCHES**PERTH**

21 Egmont Road, Henderson WA 6166
 Ph: (08) 9437 3411 Fax: (08) 9437 3422
 E: waindustrial@wacokwikform.com.au

GERALDTON

15 Eaton Place, Geraldton WA 6530
 Ph: 08 9921 5344 Fx: 08 9921 1854

KARRATHA

2531 Cowle Road, Karratha WA 6714
 Ph: 08 9185 4423 Fx: 08 9143 1830
 E: karratha@wacokwikform.com.au

HIRE WEST

97 Forsyth Street, O'Connor WA 6163
 Ph: 08 9331 3755 Fx: 08 9331 3588
 E: hirewest@wacokwikform.com.au

NT BRANCH**DARWIN**

10 Hook Road, Winnellie NT 0820
 Ph: 08 8984 4833 Fx: 08 8947 0381
 E: darwin@wacokwikform.com.au

NEW ZEALAND BRANCHES**APL KWIKFORM****AUCKLAND**

604 Rosebank Road, Avondale,
 Auckland 1026
 Ph: 09 828 0211 Fx: 09 828 1050
 E: auckland@wacokwikform.com.au
 W: www.aplkwikform.co.nz

WELLINGTON

13C Wall Place, Porirua,
 Wellington 5022
 Ph: 04 237 8008
 E: wellington@wacokwikform.com.au
 W: www.aplkwikform.co.nz

UNITED SCAFFOLDING PTY LTD**CHRISTCHURCH**

480 Johns Road, Harewood,
 Christchurch 8051
 Ph: 03 360 2496 / 0800 272 233
 Fx: 03 360 2497
 E: choffice@unitedscaffolding.co.nz

TIMARU

4 Grants Road, Marchwiell,
 Timaru 7910
 Ph: 03 688 1295 / 0800 272 233
 Fx: 03 688 1570
 E: marty@unitedscaffolding.co.nz

QUEENSTOWN

28 Margaret Place, Frankton,
 Queenstown 9371
 Ph: 03 442 3010 / 0800 272 233
 Fx: 03 442 3011
 E: glen@unitedscaffolding.co.nz

DUNEDIN

53 Fax Street, South Dunedin,
 Dunedin 9012
 Ph: 03 455 1218
 Fx: 03 455 1289
 E: stuart@unitedscaffolding.co.nz

INVERCARGILL

8 Basstian Street, Prestonville,
 Invercargill 9810
 Ph: 03 215 7918
 Fx: 03 215 6220
 E: invoffice@unitedscaffolding.co.nz

Toll-free technical help line
1300 333 113
Web: www.wacokwikform.com.au